



GENERAL

Place of Build	Elsfleth, Germany
Vessel Type	AHTS
Year Built	1983
Flag	Singapore
Call Sign	J8UK2
Class	BV

PRINCIPLE DIMENSIONS

Length Overall	67.68 metres
Beam	14.00 metres
Maximum Draft	5.98 metres
Net Registered Tonnage	456
Gross Registered Tonnage	1521

MACHINERY & PROPULSION

Main Propulsion Number	2
Main Propulsion Type	MWM TBD 510L08 Diesel
Total BHP	9280
Propellers	2 x CPP in fixed nozzles
Bow Thruster	1 CP bow thruster, electrically driven
Lateral Thrust	10 tons
Auxillary Generators	2 x 330 kva diesel gensys
Emergency Generators	N/A
Rudders	Becker

PERFORMANCES

Fuel Consumption at Max Speed	15 m3 per day @ 12 knots
Fuel Consumption at Service Speed	12 m3 per day @ 10 knots
Towing	25 m3 per day
Standby	1 m3 per day
Fuel Type	ISO 8217: 2005 DMA or later revisions

CARGO CAPABILITIES

Fresh Water	452 m3 @ 150m3 per hr at 75m head
Drill Water	427 m3 @ 150m3 per hr at 75m head
Fuel Capacity (100%)	560 m3 @ 150m3 per hr at 75m head
Liquid Mud	1300 Barrels (200 cu m) @ 50m3 per hr
Dry Bulk	2 x 62.3 m3, 2 x 65.7 m3, total 256 m3
Dead Weight	1828 tons
Clear Deck Area	38m x 11m = 418 Square Metres
Deck Cargo	650 tons

ACCOMMODATION

Crew Accommodation	(10 x 1-berth, 1 x 2-berth)12
Passengers	(1 x 2-berth, 2 x 4-berth) 10
	Total 22

COMMUNICATIONS EQUIPMENT

HF radio	2 x Furuno FS-1562-25
VHF Radio	4 x fixed
Portable VHF Radio's	4 x Motorola GP328
Satellite Communications (Voice and Fax)	Mini M
E.P.I.R.B	ACR RLB-32 CAT 1
GMDSS Compliance	Area A3

NAVIGATION EQUIPMENT

Radar No. 1	Decca Bridge Master
Radar No. 2	Furuno FR 8122
GPS	Furuno GP 90
Echo Sounder	Furuno FE 680
Navtex	JRC NCR300A
Auto Pilot	COMNAV
Gyro Compass	MICROTECHNICA

DECK MACHINERY

Tugger Winch	2 x 12 tons
Capstan	2 x 11 tons max pull
Deck Crane	1 x 2 tons @ 8 m radius

TOWING & ANCHOR HANDLING

Bollard Pull	94 tons (cont.)
Winch	Norwinch
Line Pull	250 tons
Brake Capacity	300 tons
Anchor Handling Wire Capacity	2 x 1000 m x 62 mm wire
Tow Drum Capacity	1500 m x 62 mm
Spare Tow Wire Capacity	1200 m x 64 mm
Stern Roller	4.0 m x 2.2 m - 316 tonnes
Tow Pins	2 x Norwinch / SWL 270mt
Shark Jaws	Karmoy / SWL 270mt
Chain Lockers	2 x 100m3 = 200m3
Gypsy Capacity	4-5" chain

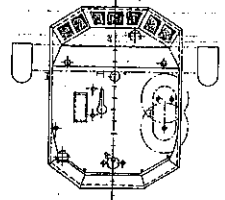
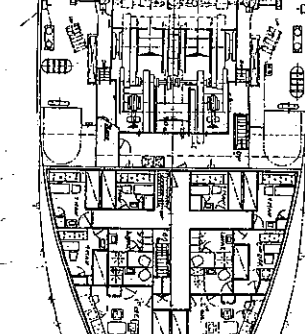
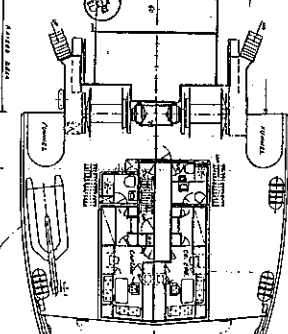
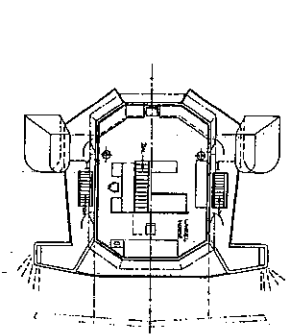
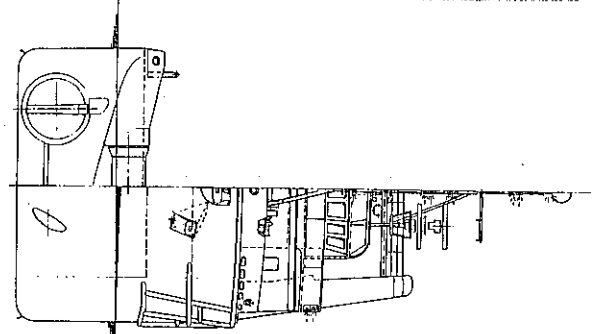
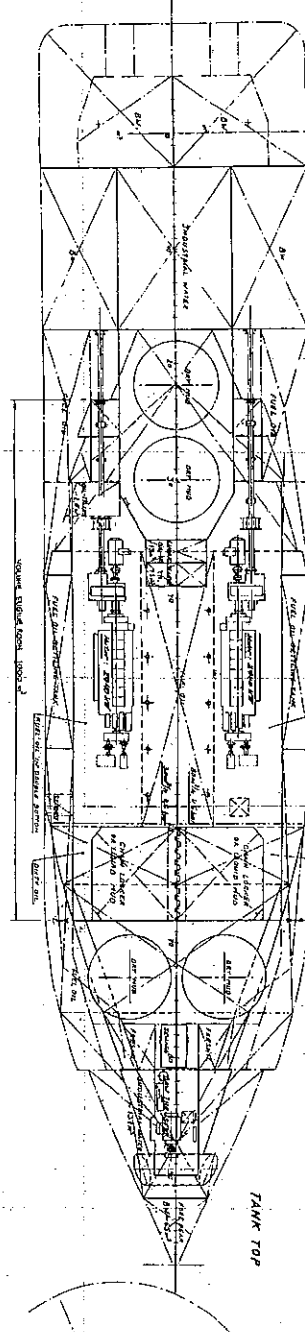
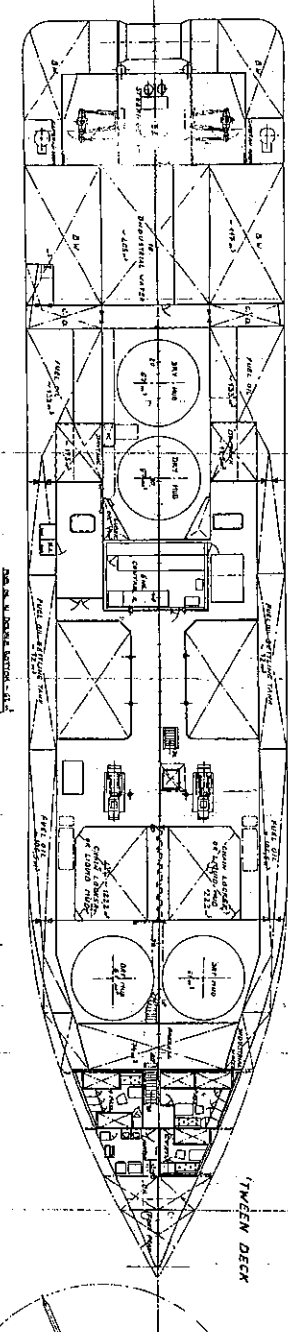
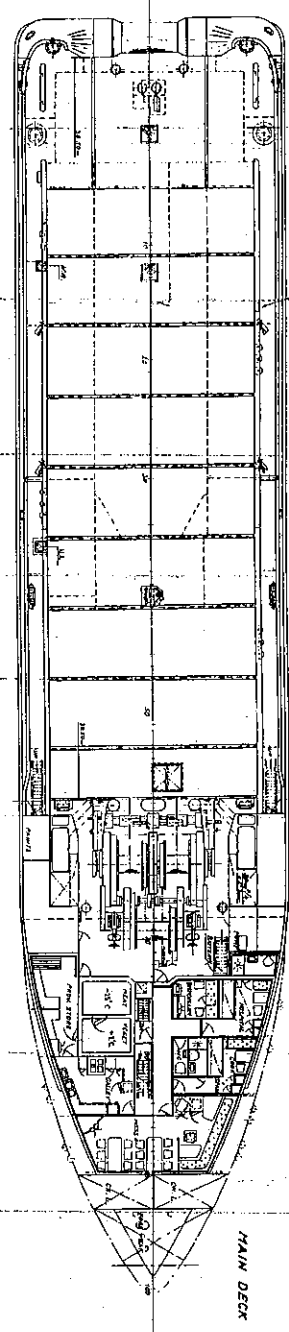
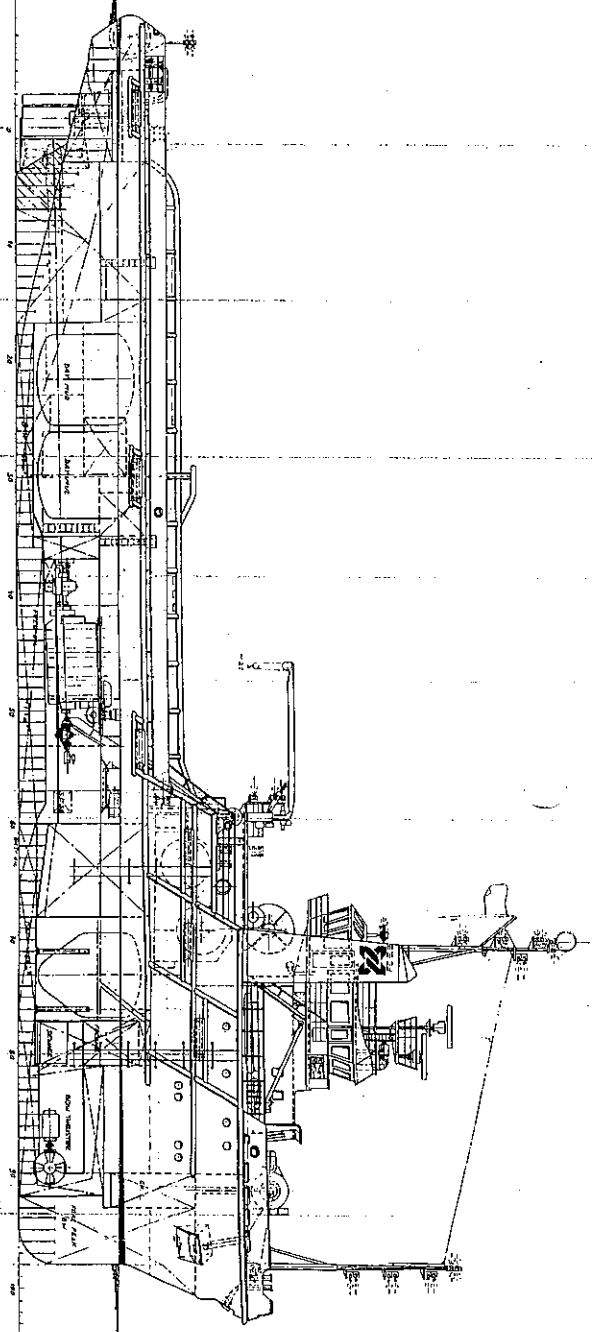
LIFE SAVING APPARATUS

Liferafts	1 x 10 + 3 x 25 = 85men
Lifeboats	NIL
MOB	1 with OBM

EXTERNAL FIRE FIGHTING

Capacity	1 x 800 cu m per hr
Monitor	1
Throw x Height	100 m x 50 m

This technical specification sheet is subject to change without notice. Whilst every effort has been made to ensure that accuracy of the information represented within this document, no guarantees of accuracy can be given.



1800

96 3019-D-11

SHIP FLEET

SHIP ENGINEERING BY

GENERAL ARRANGEMENT

SMITHSONIAN SOUND

SCALE 1/100

SUPPLY VE

CLASSIFICATION: LLOYD'S AND A.S. E.I.A.A.

MAIN DIMENSIONS:

LENGTH OVERALL: 110.00

LENGTH WATERLINE: 104.00

BREADTH: 12.00

DRAUGHT: 4.50

DISPLACEMENT: 1,500

ENGINE OUTPUT: 1,500

SPEED: 15.00

GENERAL ARRANGEMENT

SMITHSONIAN SOUND

SHIP FLEET

SHIP ENGINEERING BY

GENERAL ARRANGEMENT

SMITHSONIAN SOUND

081500