



**GENERAL**

Place of Build	Fujian South East Shipyard, China
Vessel Type	AHTS
Year Built	2011
Flag	Singapore
Call Sign	9V8733
Class	ABS FIF1 1 DPS 1

**COMMUNICATIONS EQUIPMENT**

HF radio	Furuno RC-1800T
VHF Radio	2 x Furuno FM-8800S
Portable VHF Radio's	3 x McMurdo R2 Handheld
Satellite Communications (Voice and Fax)	Mini M
E.P.I.R.B	McMurdo SMARTFIND E5
GMDSS Compliance	Area A3

**PRINCIPLE DIMENSIONS**

Length Overall	59.25 metres
Beam	14.95 metres
Maximum Draft	4.95 metres
Net Registered Tonnage	503
Gross Registered Tonnage	1500~

**NAVIGATION EQUIPMENT**

Radar No. 1	X-Band Furuno FAR-2117
Radar No. 2	X-Band Furuno FR-1510 MARK-3
GPS	GP 150
Echo Sounder	Furuno FE 700
Navtex	NX 700
Auto Pilot	Nautopilot NP 60
Gyro Compass	Anchutz STD 22
DP System	Marine Tech

**MACHINERY & PROPULSION**

Main Propulsion Number	2
Main Propulsion Type	CAT 3516B Diesel
Total BHP	5150
Propellers	2 x CPP in Fixed Kort Nozzles
Bow Thruster	1 x Kawasaki KT-55B3-390KW-6T thrust
Main Generators	3 x 350 KW diesel driven
Emergency Generators	1 x 65kW diesel
Rudders	Standard

**DECK MACHINERY**

Tugger Winch	2 x 10 tons @ 15m/min
Capstan	2 x 5 tons @ 15m/min
Deck Crane	1 x 3 tonnes @ 9 m

**PERFORMANCES**

Fuel Consumption at Max Speed	approx 18 m3 per day @ 13 knots
Fuel Consumption at Service Speed	approx 10 m3 per day @ 10 knots
Towing	approx 20 m3 per day
Standby	approx 1 m3 per day
Fuel Type	ISO 8217: 2005 DMA or later revisions

**TOWING & ANCHOR HANDLING**

Bollard Pull	65 to 68 tons
Winch	Plimsoll Waterfall Type
Line Pull	150 tons
Brake Capacity	200 tons
Anchor Handling Wire and Towing Wire	100m and 1000m - 56mm
Anchor Handling Wire Capacity	150 m x 56 mm
Tow Drum Capacity	1000 m x 56 mm
Spare Tow Wire Capacity	1000 m x 56 mm
Stern Roller	4.4 m x 1.6 m - SWL 200 tonnes
Tow Pins	2 x Closed Top Type - 200T SWL
Shark Jaws	1 set - Shark Jaws - 200T SWL

**CARGO CAPABILITIES**

Fresh Water	300 m3 @ 100m3 per hr at 75m head
Drill Water	400 m3 @ 100m3 per hr at 75m head
Fuel Capacity (100%)	540 m3 @ 150m3 per hr at 75m head
Liquid Mud	385 m3 @ 70m3 per hr
Dry Bulk	4 X 1650 cu ft each, total 6,600 cu ft
Dead Weight	1400 tons
Clear Deck Area	350 Square Metres
Deck Cargo	500 tons
Deck Loading	7.5 tonnes/sqm

**LIFE SAVING APPARATUS**

Liferafts	Total 6, capacity 150 men
Rescue Boat	25 HP OBM, capacity 6 men

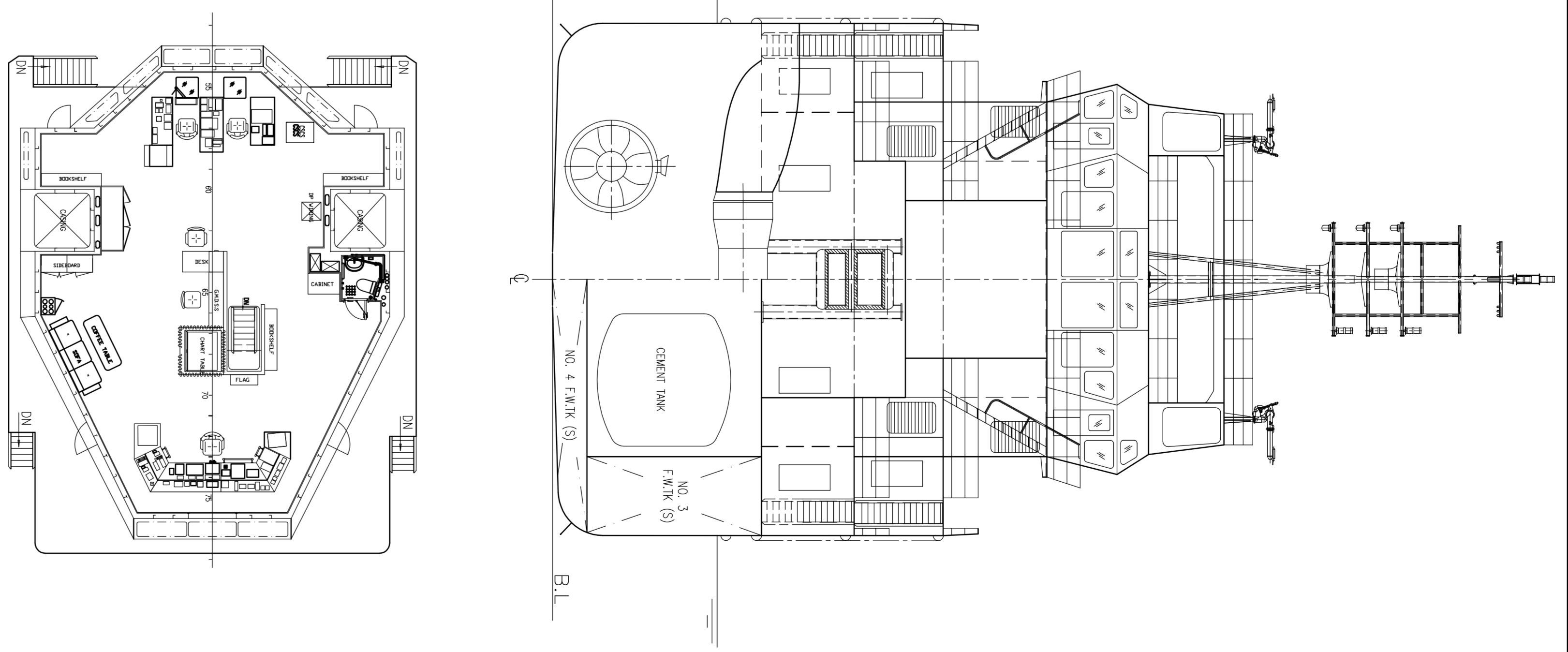
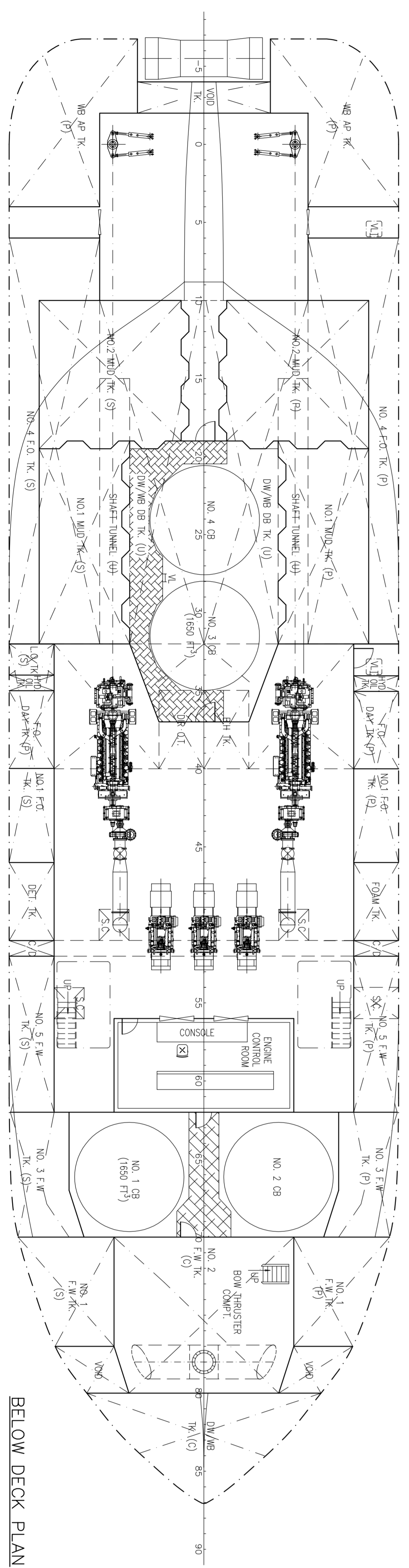
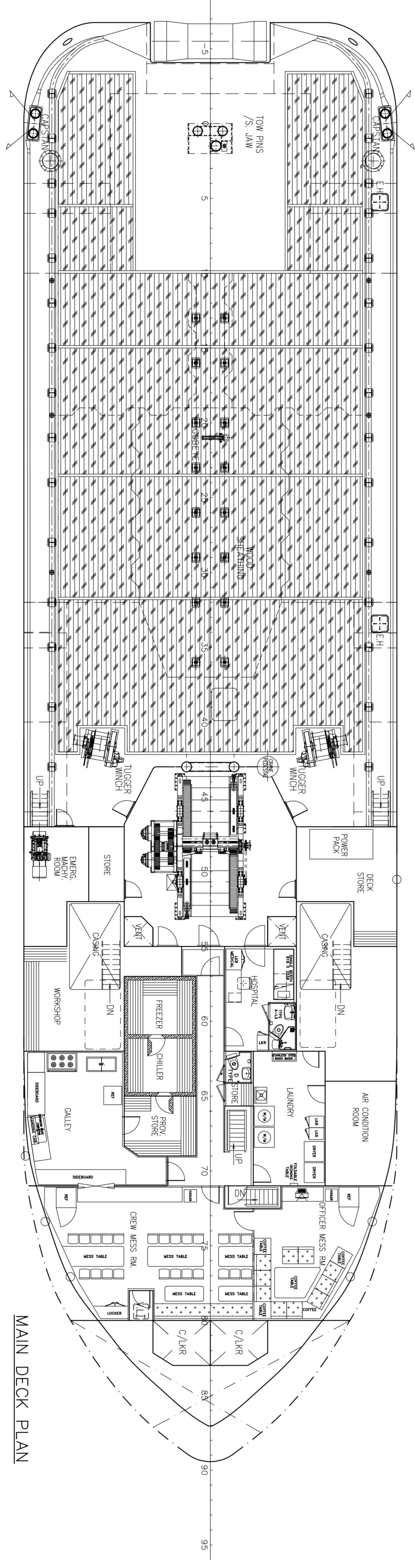
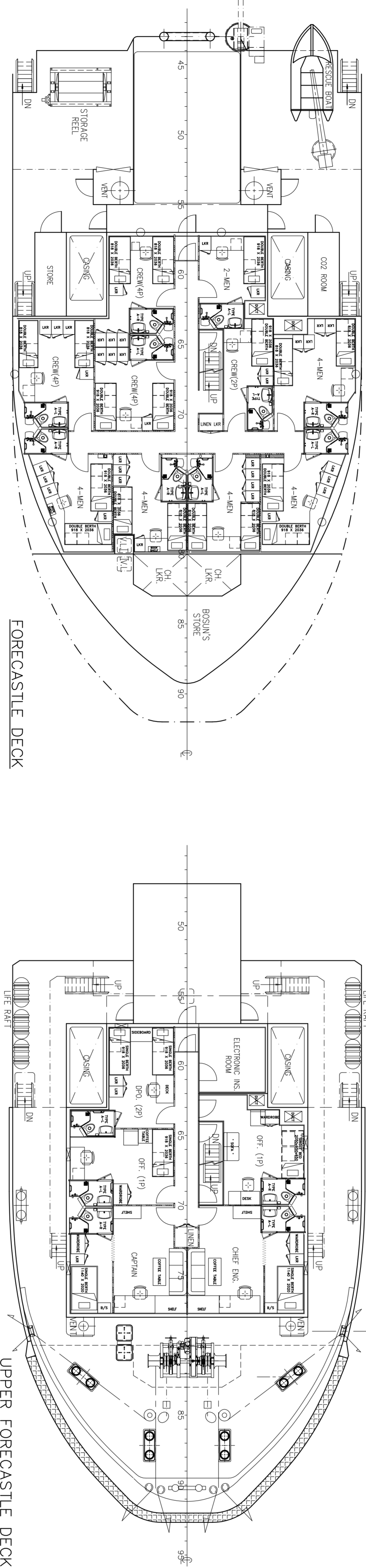
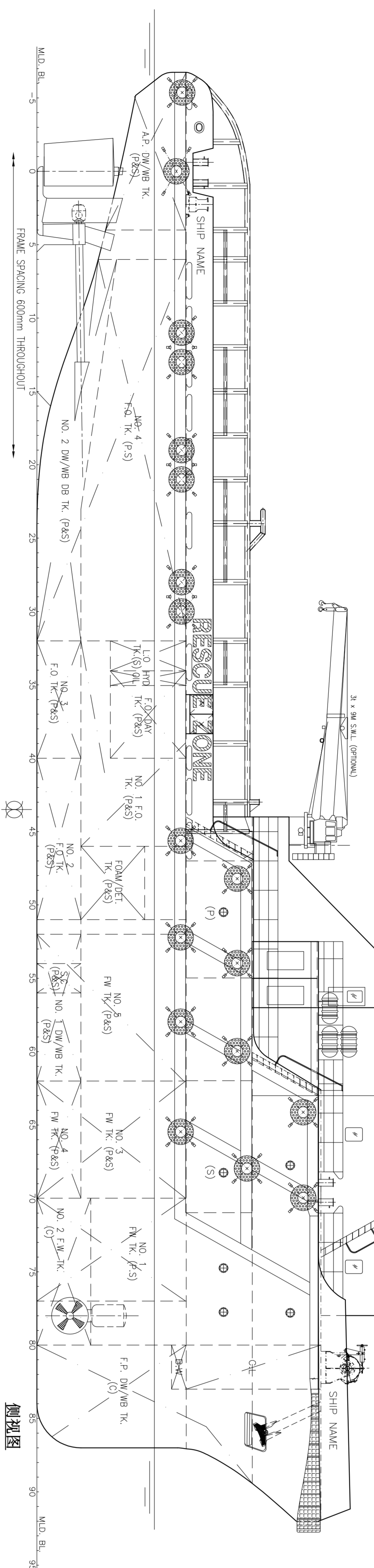
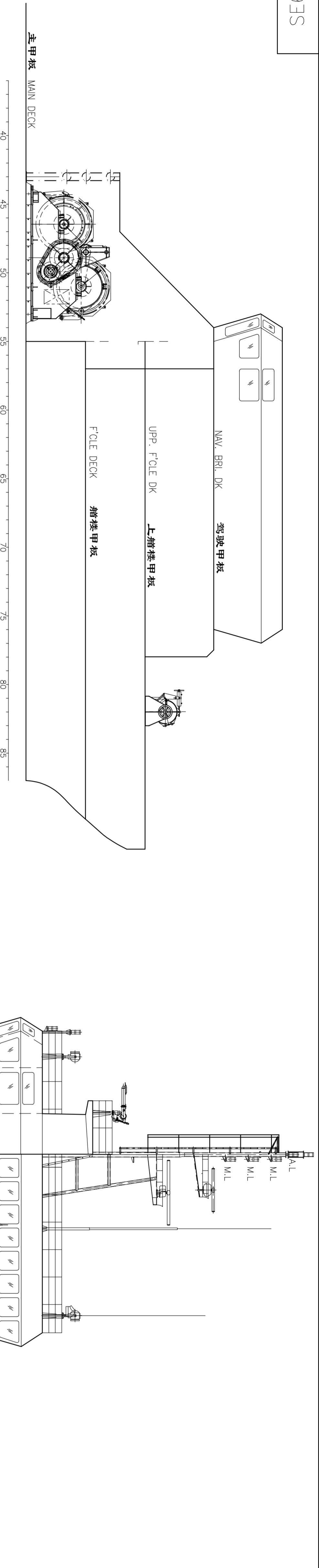
**EXTERNAL FIRE FIGHTING**

Capacity	FIF1 1 - 2 x 1200 cu m per hr
Monitor	2
Throw x Height	120 m x 50 m

**ACCOMMODATION**

Crew	12
Passengers	28
	(4 x 1-berth, 3 x 2-berth, 8 x 4-berth)
<b>Total</b>	<b>40</b>

This technical specification sheet is subject to change without notice. Whilst every effort has been made to ensure that accuracy of the information represented within this document, no guarantees of accuracy can be given.



PRINCIPAL DIMENSIONS

LENGTH (O.A.)	59,250 M
LENGTH (M/L)	59,200 M
LENGTH (B/L)	52,200 M
BEAM (M/LD.)	14,930 M
DEPTH (M/LD.)	6,100 M
DESIGN DRAFT	4,950 M/3
FUEL OIL	5,40 M/3
FRESH WATER	300 M/3
DRILL WATER / W.B.	400 M/3
MUD	385 M/3
CLEAR DECK AREA	320 M/2
DECK CARGO (DECK LOADING = 7.5T/M <sup>2</sup> )	500 TONS
DRY BULK TANKS (4x1650 FT <sup>3</sup> )	187 M/3
MAIN PROPULSION ENGINE	2 X 2575 BHP
SPEED (TRIALS)	13.0 KNOTS
BOLLARD PULL	13.0 TONS
COMPLEMENT	62 MEN

CLASS & NOTATION : ABS \* A1 @ "TOWING VESSEL, FIRE FIGHTING VESSEL CLASS 1, OFFSHORE SUPPORT VESSEL"  
+ AMS + DPS-1

总布置图

设计数量	修改数量	设计日期	修改日期	设计人	修改人	审核人	批准人
NO. 1	NO. 2	NO. 3	NO. 4	NO. 5	NO. 6	NO. 7	NO. 8
设计	修改	审核	批准	设计	修改	审核	批准

船名	船东	船级	船东
SE638-100-01	DNS9m-84	ABS	FUJIAN SOUTHEAST SHIPYARD
比例	1:150	第 1 页	共 1 页

船体	✓
轮机	✓
管装	✓
涂装	✓
安装	✓
电气	✓
合梯	✓
船东	✓